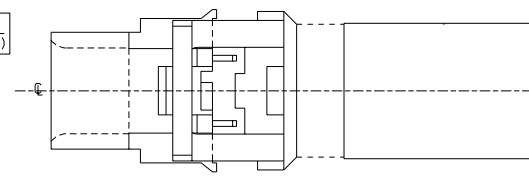
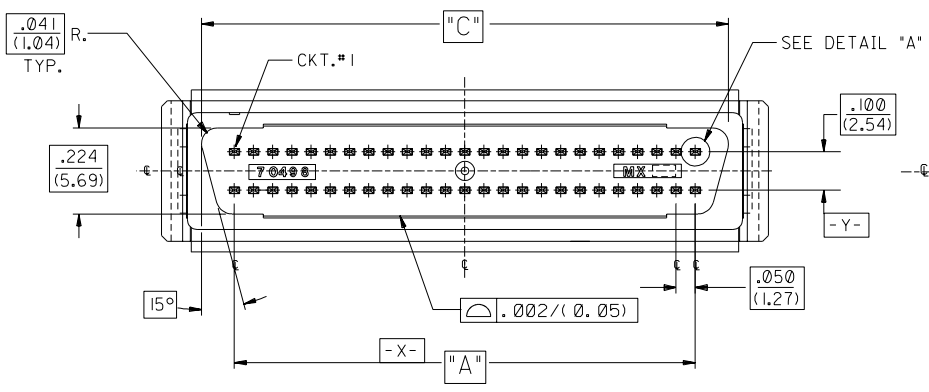
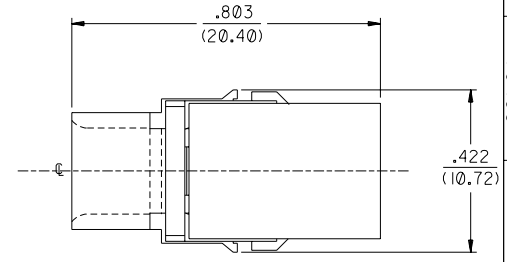


DETAIL "A"
(ASSEMBLED WITHOUT STRAIN-RELIEF)
SCALE 8:1

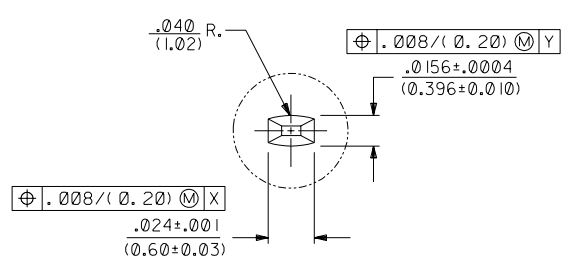


PRE-LOADED



ASSEMBLED WITH STRAIN RELIEF
(STRAIN RELIEF IS LOADED AFTER TERMINATION)

50 CIRCUIT SHOWN



DETAIL A
SCALE = 20:1

SEE SHEETS 2 & 3 FOR ALL NOTES AND CHART.

3	D
2	E
1	E
	MFG. SH. REV.

LTR. REVISIONS		LTR. REVISIONS		DIMENSIONS SHOWN (METRIC) INCH UNLESS OTHERWISE SPECIFIED TOLERANCES: ANGULAR 1/2°		REVISE ONLY ON CAD SYSTEM	
		C		3 PLACE ± .005	INCH	TITLE	
		E	B	2 PLACE ± --- ± 0.13	METRIC	SCSI ALL-PLASTIC MODULAR SUB-ASSEMBLY KIT FOR .025 RIBBON CABLE PLUG	
		D	A	1 PLACE --- ± ---		MOLEX INCORPORATED	SHEET NO. DATE
				DRAFT WHERE APPLICABLE MUST REMAIN WITHIN DIMENSIONS		U.S.A.	1 of 3 95/11/08
				DRWG. BY: J. Long	CHK'D. BY: J. Long	PART NO.	DRWG. NO.
				APP'D. BY: DCB	SCALE: 4:1	SEE SHTS 2,3	SDMS-70498-5***
						FILE NAME: S7049851.DGN	THIS DRAWING CONTAINS INFORMATION THAT IS PROPRIETARY TO MOLEX INC. AND SHOULD NOT BE USED WITHOUT WRITTEN PERMISSION.
						DC	DC

NOTES:

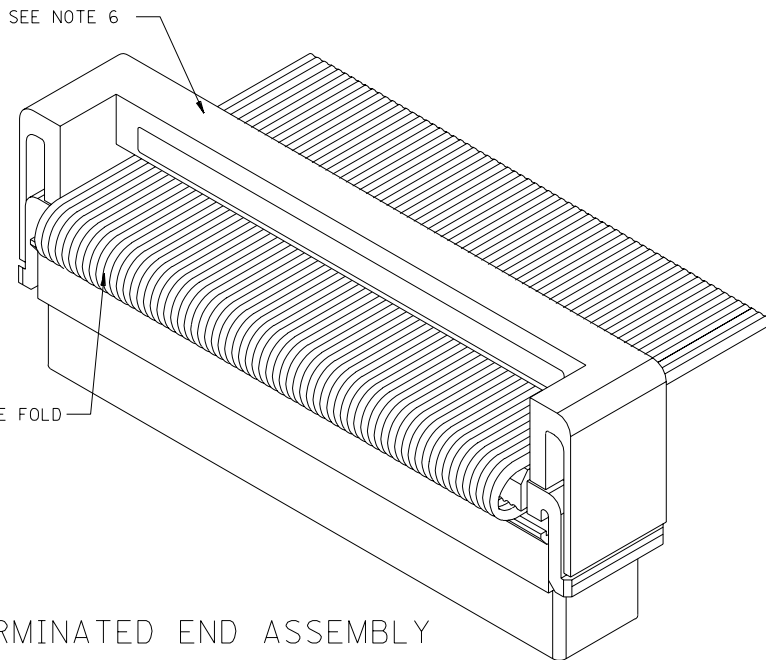
- REFER TO PS-79058 PRODUCT SPEC FOR ELECTRICAL, MECHANICAL AND ENVIRONMENTAL SPECIFICATIONS.
- MATERIAL:
 PLUG HOUSING: POLYESTER (PBT), GLASS FILLES, UL94 V-0, COLOR: BLACK
 CONTACT: PHOSPHOR BRONZE
 UPPER HOUSING: POLYESTER (PBT), GLASS FILLES, UL94 V-0, COLOR: BLACK
 STRAIN RELIEF: POLYESTER (PBT), GLASS FILLES, UL94 V-0, COLOR: BLACK

FINISHES: TERMINALS:

(GOLD 15)
 SELECTIVE GOLD: THICKNESS= 15 MICROINCHES/(0.38 MICROMETERS) MINIMUM.
 SELECTIVE TIN: THICKNESS= 75 MICROINCHES/(1.90 MICROMETERS) MINIMUM.
 NICKEL UNDERPLATE OVERALL.

(GOLD 30)
 SELECTIVE GOLD: THICKNESS= 30 MICROINCHES/(0.76 MICROMETERS) MINIMUM.
 SELECTIVE TIN: THICKNESS= 75 MICROINCHES/(1.90 MICROMETERS) MINIMUM.
 NICKEL UNDERPLATE OVERALL.

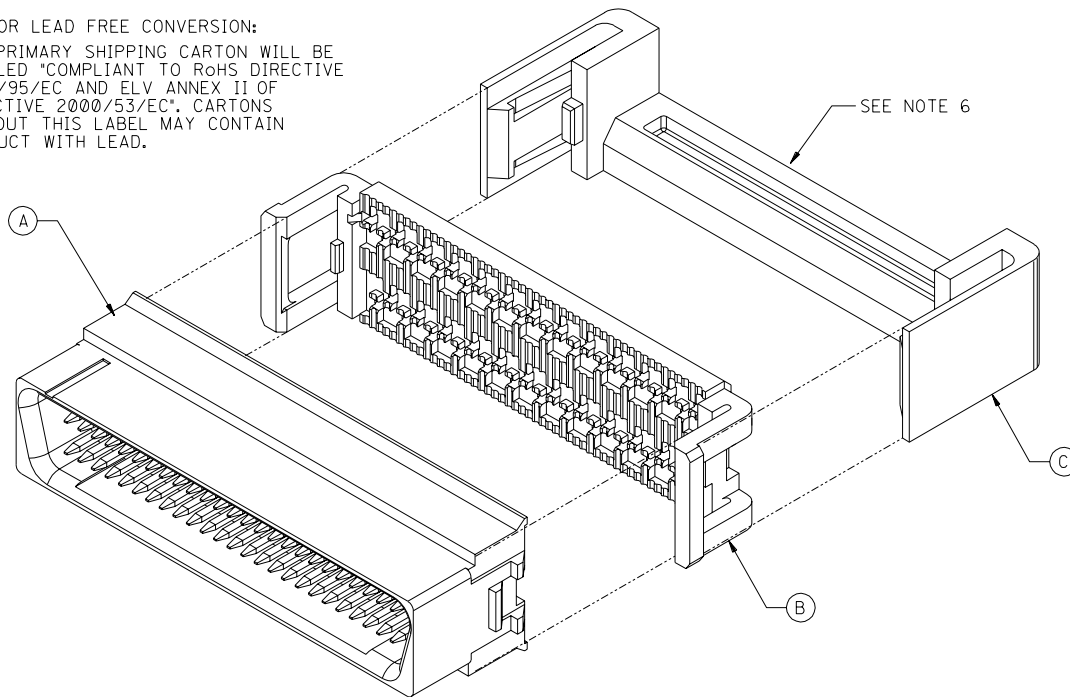
- PACKAGING: SUBASSEMBLY SUPPLIED IN TUBES AND UPPER HSG. AND STRAIN-RELIEF SUPPLIED IN BULK PER PK-70873-0258.
- RECOMMENDED CABLE: 30 AWG STRANDED OR SOLID, .025 RIBBON. CONTACT MOLEX INC. FOR LIST OF APPROVED CABLES.
- APPLICATION TOOL CLOSURE OVER ASSY TO BE CONTROLLED TO .364±.001 USING A POSITIVE STOP TO ASSURE PROPER TERMINATION.
- STRAIN-RELIEF MAY BE POSITIONED SO THE TIE-BAR ORIENTATION CAN BE ON EITHER SIDE IN RELATIONSHIP TO THE CONNECTOR "D" SHAPE. IF THE STRAIN-RELIEF WILL BE USED ON A CABLE HARNESS AT AN END TERMINATION THE ORIENTATION SHOULD BE AS SHOWN. THE TIE-BAR SHOULD BE ON THE OPPOSITE SIDE OF THE CONNECTOR FROM THE CABLE FOLD.



TERMINATED END ASSEMBLY
 FOR REFERENCE ONLY

ITEM NO.	CKT. SIZE	PLATING TYPE	ITEM	DESCRIPTION/ITEM NO.	QTY	"A"		"B"		"C"		"D"		"E"	
						IN.	MM.	IN.	MM.	IN.	MM.	IN.	MM.	IN.	MM.
70498-5050	50	GOLD 30	A	PLUG ASSEMBLY : 70498-2050	1										
			B	UPPER HOUSING : 70497-1050	1	1.200	30.48	1.225	31.12	1.372	34.85	1.577	40.06	1.580	40.13
			C	STRAIN-RELIEF : 70499-3050	1										
70498-5068	68	GOLD 30	A	PLUG ASSEMBLY : 70498-2068	1										
			B	UPPER HOUSING : 70497-1068	1	1.650	41.91	1.675	42.54	1.822	46.28	2.027	51.49	2.030	51.56
			C	STRAIN-RELIEF : 70499-3068	1										
70498-5101	68	GOLD 30	A	PLUG ASSEMBLY : 70498-2168	1										
			B	UPPER HOUSING : 70497-1068	1	1.650	41.91	1.675	42.54	1.822	46.28	2.027	51.49	2.030	51.56
			C	STRAIN-RELIEF : 70499-3068	1										
70498-5201	68	GOLD 15	A	PLUG ASSEMBLY : 70498-2168	1										
			B	UPPER HOUSING : 70497-1068	1	1.650	41.91	1.675	42.54	1.822	46.28	2.027	51.49	2.030	51.56
			C	STRAIN-RELIEF : 70499-3068	1										

NOTE FOR LEAD FREE CONVERSION:
 THE PRIMARY SHIPPING CARTON WILL BE LABELED *COMPLIANT TO ROHS DIRECTIVE 2002/95/EC AND ELV ANNEX II OF DIRECTIVE 2000/53/EC*. CARTONS WITHOUT THIS LABEL MAY CONTAIN PRODUCT WITH LEAD.



DETAIL FOR PK-70873-0258
 FOR TUBE/BULK PACKAGING
 ITEM SERIES 70498-50** & -51**

50 CIRCUIT ASSEMBLY

SEE ALSO SHEET 3

DIMENSIONS SHOWN (METRIC) INCH		UNLESS OTHERWISE SPECIFIED TOLERANCES: ANGULAR ± 1/2°		MFG. SH. REV.	
5 PLACE	± .---	INCH	METRIC		
2 PLACE	± .---	INCH	METRIC		
1 PLACE	± .---	INCH	METRIC		
DRAFT WHERE APPLICABLE MUST REMAIN WITHIN DIMENSIONS				REVISE ONLY ON CAD SYSTEM	
DRG. BY: J. Long		CHK'D. BY: J. Long		TITLE: SCSI ALL-PLASTIC MODULAR SUB-ASSEMBLY KIT FOR .025 RIBBON CABLE PLUG	
APPR'D. BY: DCB		SCALE: 4 : 1		PART NO. SEE CHART SDMS-70498-5***	
LTR. REVISIONS		LTR. REVISIONS		FROM: MOLEX INCORPORATED SHEET NO. 2 DATE 95/11/08	
				FILE NAME: S7049852.DGN	
				THIS DRAWING CONTAINS INFORMATION THAT IS PROPRIETARY TO MOLEX INC. AND SHOULD NOT BE USED WITHOUT WRITTEN PERMISSION.	

70498

B

A